

GM-LOH2 Stainless Steel 316 Lift-Off Hinge

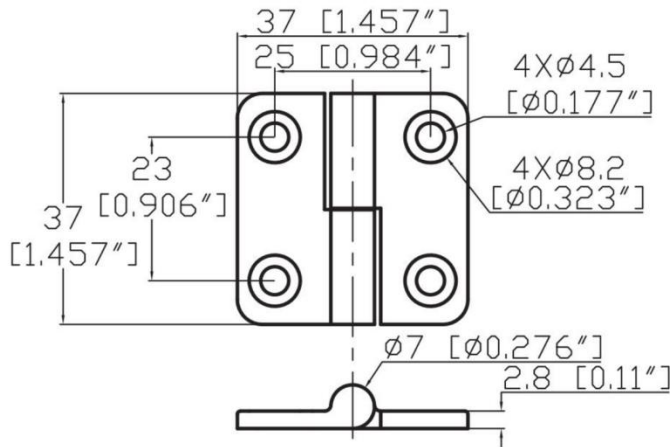
Features

- Thin cast hinge with extruded roll pin
- Allows for quick, easy door removal
- Door can also be permanently installed
- Low profile hinge barrel design is welded closed on both ends
- Tight tolerance construction
- Durability and aesthetics combined

Material

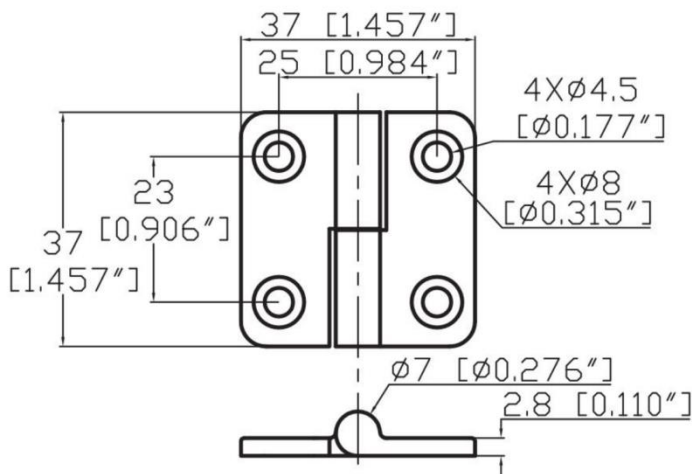
- Stainless steel 316

Left Side



Part No.	Dimensions	Screw Size
GM-LOH2-I936648	37 x 37	#8 or M4

Right Side



Part No.	Dimensions	Screw Size
GM-LOH2-I936649	37 x 37	#8 or M4